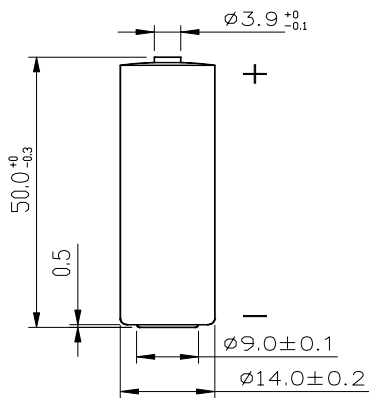


**SPECIFICATIONS**

(Typical values for batteries stored at 20 °C for one year)

<b>Nominal Capacity (At 2 mA/20 °C/68 °F/2.0V Cut-Off)</b>	<b>2.4 Ah</b>
<b>Open Circuit Voltage (At 20 °C/68 °F)</b>	<b>3.67 V</b>
<b>Nominal Voltage (At 2mA/20 °C/68 °F)</b>	<b>3.6 V</b>
<b>Maximum Continuous Current</b>	<b>100 mA</b>
<b>Maximum Pulse Current Capability</b>	<b>200 mA</b>
<b>Rated 1 Sec. Pulse Capability (To 3V)</b>	<b>40 mA</b>
<b>Operating Temperature Range</b>	<b>-55 ~ 85 °C</b>
<b>Weight</b>	<b>17.6 g (0.62 oz)</b>
<b>Anode Surface Area</b>	<b>14 cm<sup>2</sup></b>
<b>Volume</b>	<b>8.0 cm<sup>3</sup></b>
<b>Diameter (Max)</b>	<b>14.5 mm</b>
<b>Height (Max)</b>	<b>50.5 mm</b>

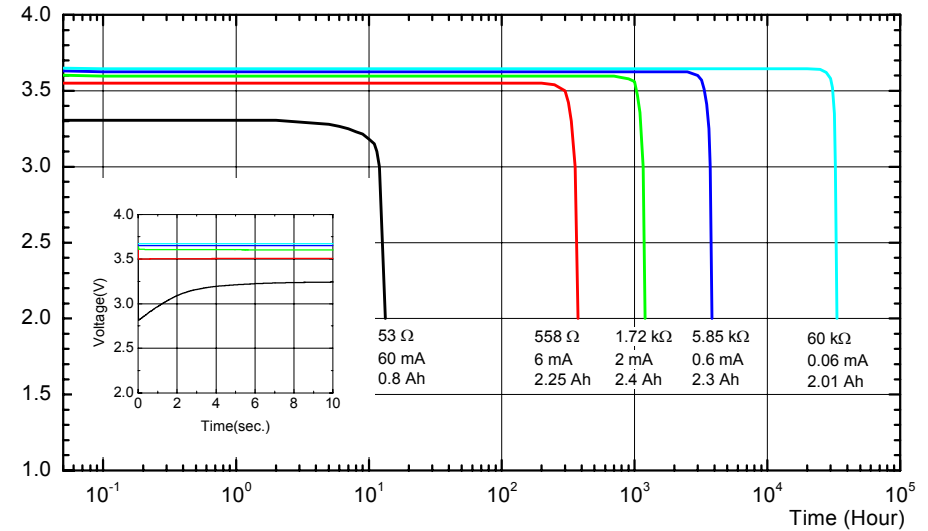
DIMENSIONS IN MM



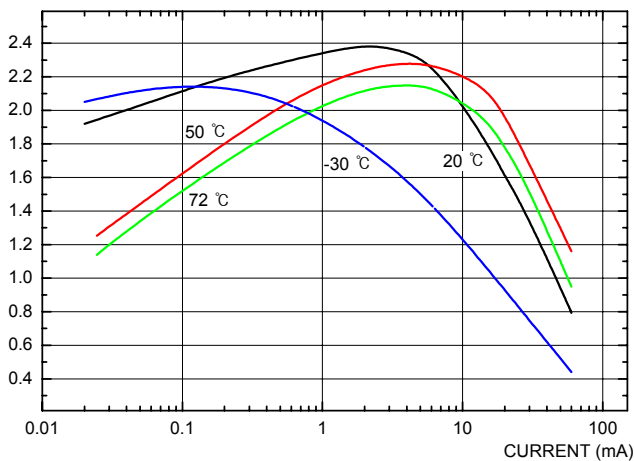
**WARNING**

Fire, Explosion And Severe Burn Hazard.  
Do Not Recharge, Crush, Disassemble,  
Heat Above 212°F(100°C), Incinerate  
Or Expose Contents To Water

Voltage (V) **DISCHARGE CHARACTERISTICS AT +20°C**



Capacity (Ah) **CAPACITY vs. CURRENT**



Voltage (V) **OPERATING VOLTAGE**

